

# TeltoCharge Mounting Pole



## SHAPING THE FUTURE OF EV CHARGING

We offer an easy, smart, and reliable EV charging experience. TeltoCharge Mounting Pole is an exceptional product that combines functionality, premium looks, high-quality build, and customizable EV charger mounting options.

# MOUNTING POLE VISUALS

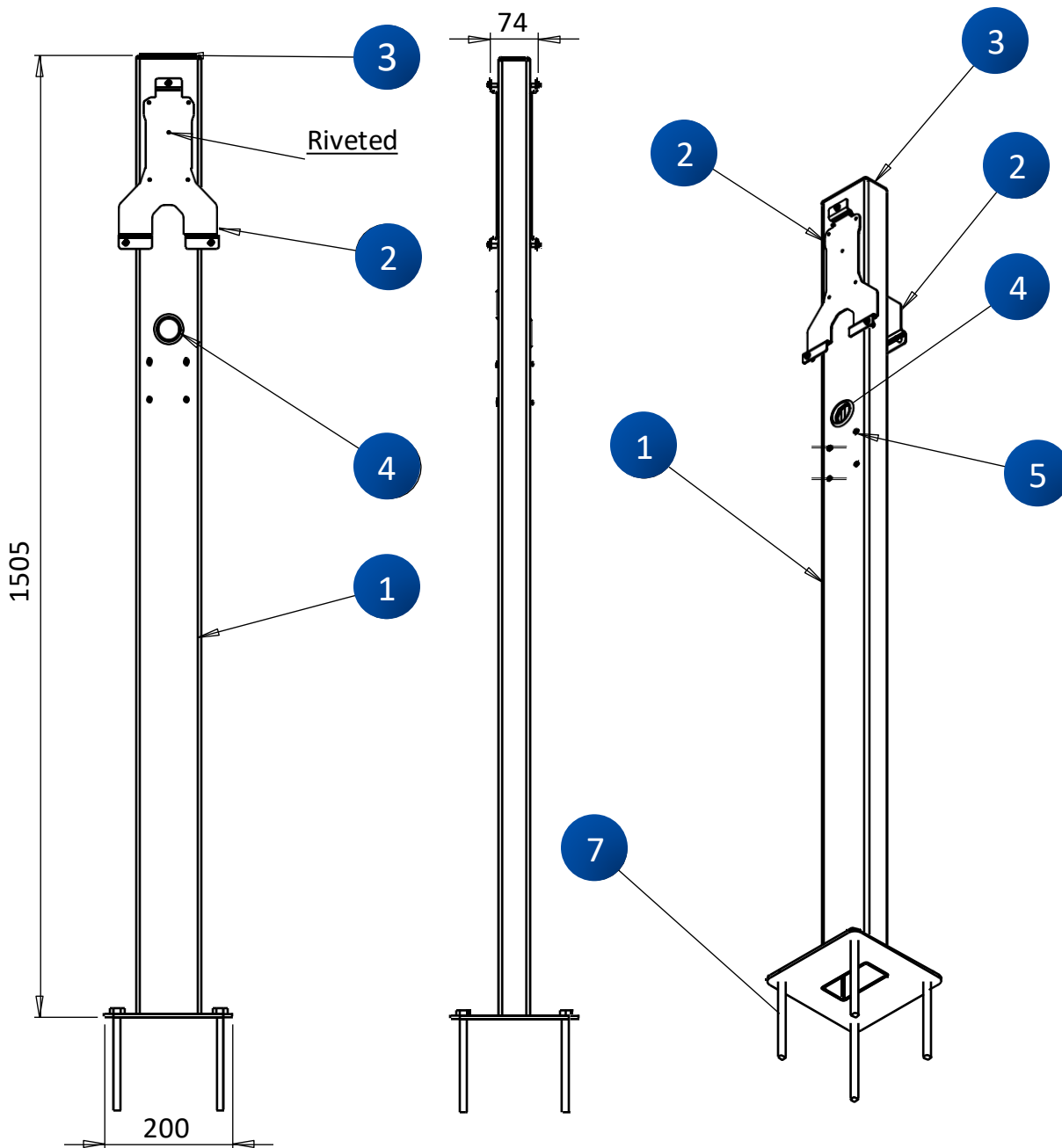
## Single Mounting Pole



## Dual Mounting Pole



# TECHNICAL DATASHEET



ITEM NO.	DESCRIPTION	QUANTITY	GENERAL SPECIFICATIONS	
1	Stand	1	Height	1505 mm
2	Charger Backplate	2	Width (no Bottom plate)	100 mm
3	Profile cap 100x50	1	Width (with Bottom plate)	200 mm
4	GRO150121A	2	Weight	12.32 kg
5	Pan head M4x8 Zinc plated, black	8	Material	Carbon Steel
6	DIN 912 M4x12 Stainless steel	6		
7	Anchor bolt 12x150 (M8)	4		

# TELTONIKA ENERGY APP

Manage all your device settings from your mobile phone or tablet through the Teltonika Energy application.

- > Pair your EV charger with your phone through smart Teltonika Energy application via Bluetooth Low Energy connection.
- > Set up your device and get access to your consumption.
- > Monitor the status of your charger.
- > Schedule charging when the power is cheapest.
- > View your statistics in real time.
- > Set the charging current according to your needs.
- > Lock your charger to protect it from unwanted users and more.

Compatible with your device



# TeltoCharge

